

BALDOR • RELIANCE

Customer information packet

EMM3710

5.5KW, 1770RPM, 3PH, 60HZ, D132S, 3738M, TEFC

Brahma Engineering LLC.

Class - None

Division - Not Applicable

Specifications

Enclosure	TEFC
Frame	D132S
Frame Material	Steel
Frequency	60.00 Hz
Output @ Frequency	5.500 KW @ 60 HZ
Phase	3
Synchronous Speed @ Frequency	1800 RPM @ 60 HZ
Voltage @ Frequency	460.0 V @ 60 HZ 230.0 V @ 60 HZ
XP Class and Group	None
XP Division	Not Applicable
Agency Approvals	CSA UR
Ambient Temperature	40 °C
Auxillary Box	No Auxillary Box
Auxillary Box Lead Termination	None
Base Indicator	Rigid
Bearing Grease Type	Polyrex EM (-20F +300F)
Blower	None
Current @ Voltage	19.000 A @ 230.0 V 20.000 A @ 208.0 V 9.500 A @ 460.0 V
Design Code	A
Drip Cover	No Drip Cover
Duty Rating	CONT
Efficiency @ 100% Load	91.7 %
Electrically Isolated Bearing	Not Electrically Isolated
Feedback Device	NO FEEDBACK
Frame Prefix	D
Front Shaft Indicator	None
Heater Indicator	No Heater
High Voltage Full Load Amps	9.5 a

Part detail

Revision	-
Type	AC
Mech. spec.	37E617
Base	
Status	PRD/A
Elec. spec.	37WGL864
Layout	37LYE617
Eff. date	02-17-2021
CD Diagram	CD0005
Poles	04
Leads	9#14
Proprietary	False
Created date	02-02-2021

Insulation Class	F
Inverter Code	Inverter Ready
KVA Code	J
Lifting Lugs	Standard Lifting Lugs
Locked Bearing Indicator	No Locked Bearing
Motor Lead Quantity/Wire Size	9 @ 14 AWG
Motor Lead Termination	Flying Leads
Motor Standards	IEC
Motor Type	3738M
Mounting Arrangement	B3
Number of Poles	4
Overall Length	18.79 IN
Power Factor	80
Product Family	General Purpose
Pulley End Bearing Type	Ball
Pulley Face Code	Standard
Pulley Shaft Indicator	Tapped & Key
Rodent Screen	None
RoHS Status	ROHS COMPLIANT
Service Factor	1.15
Shaft Diameter	1.497 IN
Shaft Ground Indicator	No Shaft Grounding
Shaft Rotation	Reversible
Shaft Slinger Indicator	Shaft Slinger
Speed	1770 rpm
Speed Code	Single Speed
Starting Method	Direct on line
Thermal Device - Bearing	None
Thermal Device - Winding	None
Vibration Sensor Indicator	No Vibration Sensor
Winding Thermal 1	None
Winding Thermal 2	None

Nameplate

NP1159L									
CAT.NO.	EMM3710								
SPEC.	37E617L864G1								
IEC FRAME	D132S	KW	5.5						
VOLTS	230/460								
AMP	19/9.5								
RPM	1770	ENCL	TEFC						
HZ	60	PH	3	CL	F				
SER.F.	1.15	DES	A	CODE	J				
NEMA-NOM-EFF	91.7	I.P.	54						
RATING	40C AMB-CONT								
CC	010A	USABLE AT 208V	20						
DE	6208	ODE	6206						
SER. #									

Parts list

Part number	Description	Quantity
SA390602	SA 37E617L864G1	1.000 ea
RA381054	RA 37E617L864G1	1.000 ea
37FN3002C01	EXFN, PLASTIC, 6.00 OD, 1.155 ID	1.000 ea
HW3200A01	3/8-16X3/4 I-BLT WELDED F/S	1.000 ea
37CB3004	37 CB CASTING W/1.09 LEAD HOLE @ 6:00	1.000 ea
37GS1000SP	GASKET, CONDUIT BOX STD., .06 THICK LEXI	1.000 ea
51XW2520A12	.25-20 X .75, TAPTITE II, HEX WSHR SLTD	2.000 ea
11XW1032G06	10-32 X .38, TAPTITE II, HEX WSHR SLTD U	1.000 ea
37EP3101A01	FR ENDPLATE, FOR ROUTING PURPOSES	1.000 ea
HW4500A01	1641B(ALEMITE)400 UNIV, GREASE FITT	1.000 ea
HW5100A06	W2420-025 WVY WSHR (WB)	1.000 ea
37EP3100A11	PU ENDPLATE, MACH	1.000 ea
HW4500A01	1641B(ALEMITE)400 UNIV, GREASE FITT	1.000 ea
XY3118A12	5/16-18 HEX NUT DIRECTIONAL SERRATION	4.000 ea
51XB1214A20	12-14X1.25 HXWSSLD SERTYB	1.000 ea
07FH4007SP	PRIMED	1.000 ea
51XW1032A06	10-32 X .38, TAPTITE II, HEX WSHR SLTD S	3.000 ea
37CB4516	LIPPED LID FOR 37 FRAME NEC KOBX	1.000 ea
37GS1008	37 GS FOR CB LID - LEXIDE	1.000 ea
51XW0832A07	8-32 X .44, TAPTITE II, HEX WSHR SLTD SE	4.000 ea
HA1005A12	SLINGER, OD 2.50, ID 1.433, 208 BRG	1.000 ea
HW2505B19	KEY, 8 X 10 MM X 2.125 IN	1.000 ea
85XU0407S04	4X1/4 U DRIVE PIN STAINLESS	2.000 ea
LB1115N	LABEL,LIFTING DEVICE (ON ROLLS)	1.000 ea
MJ1000A02	GREASE, MOBIL POLYREX EM - 124047	0.050 lb
MG1000Y03	MUNSELL 2.53Y 6.70/ 4.60, GLOSS 20,	0.028 ga
HA3104A17	5/16-18X13.250 T-BLT/OHIO	4.000 ea
LC0005E01	CONN.DIA./WARNING LABEL (LC0005/LB1119N)	1.000 ea
NP1159L	SS SUPER-E IEC UL CSA CC	1.000 ea
37PA1074	PALLET PACK GRP, PRINT BOX PK1026A06	1.000 ea
MN416A01	TAG-INSTAL-MAINT no wire (1200/bx) 1/21	1.000 ea

AC Induction Motor Performance Data

Record # 86498

Preliminary Data Sheet

Winding: 37WGL864-R005		Type: 3738M		Enclosure: TEFC	
Nameplate Data			460 V, 60 Hz: High Voltage Connection		
Rated Output (KW)	5.5	Full Load Torque	22.2 LB-FT		
Volts	230/460	Start Configuration	direct on line		
Full Load Amps	19.0/9.5	Breakdown Torque	69.8 LB-FT		
R.P.M.	1770	Pull-up Torque	31.5 LB-FT		
Hz	60 Phase	3	Locked-rotor Torque	41 LB-FT	
NEMA Design Code	A KVA Code	J	Starting Current	70.7 A	
Service Factor (S.F.)	1.15		No-load Current	4.32 A	
NEMA Nom. Eff.	91.7 Power Factor	80	Line-line Res. @ 25°C	1.48 Ω	
Rating - Duty	40C AMB-CONT		Temp. Rise @ Rated Load	64°C	
S.F. Amps	21.4/10.7		Temp. Rise @ S.F. Load	84°C	
			Locked-rotor Power Factor	41.9	
			Rotor inertia	0.934 lb-ft ²	

Load Characteristics 460 V, 60 Hz, 5.5 KW

% of Rated Load	25	50	75	100	125	150	S.F.
Power Factor	42	64	75	80	83	84	83
Efficiency	87.1	91.4	92	91.7	90.7	89.6	90.7
Speed	1793	1786	1778	1770	1760	1750	1761
Line amperes	4.83	6.03	7.64	9.5	11.6	13.9	10.7

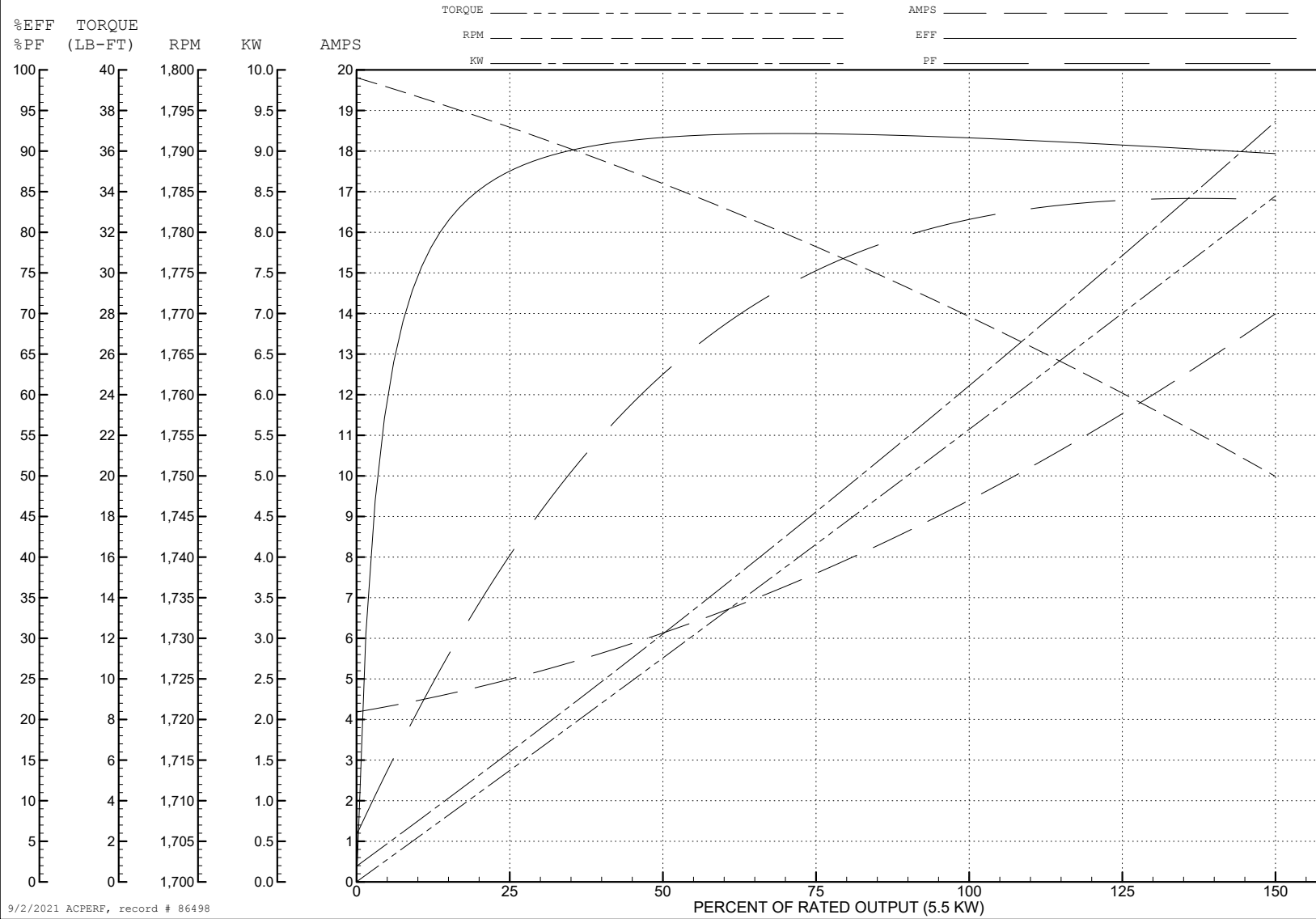
ABB Motors and Mechanical Inc.

WINDING # 37WGL864

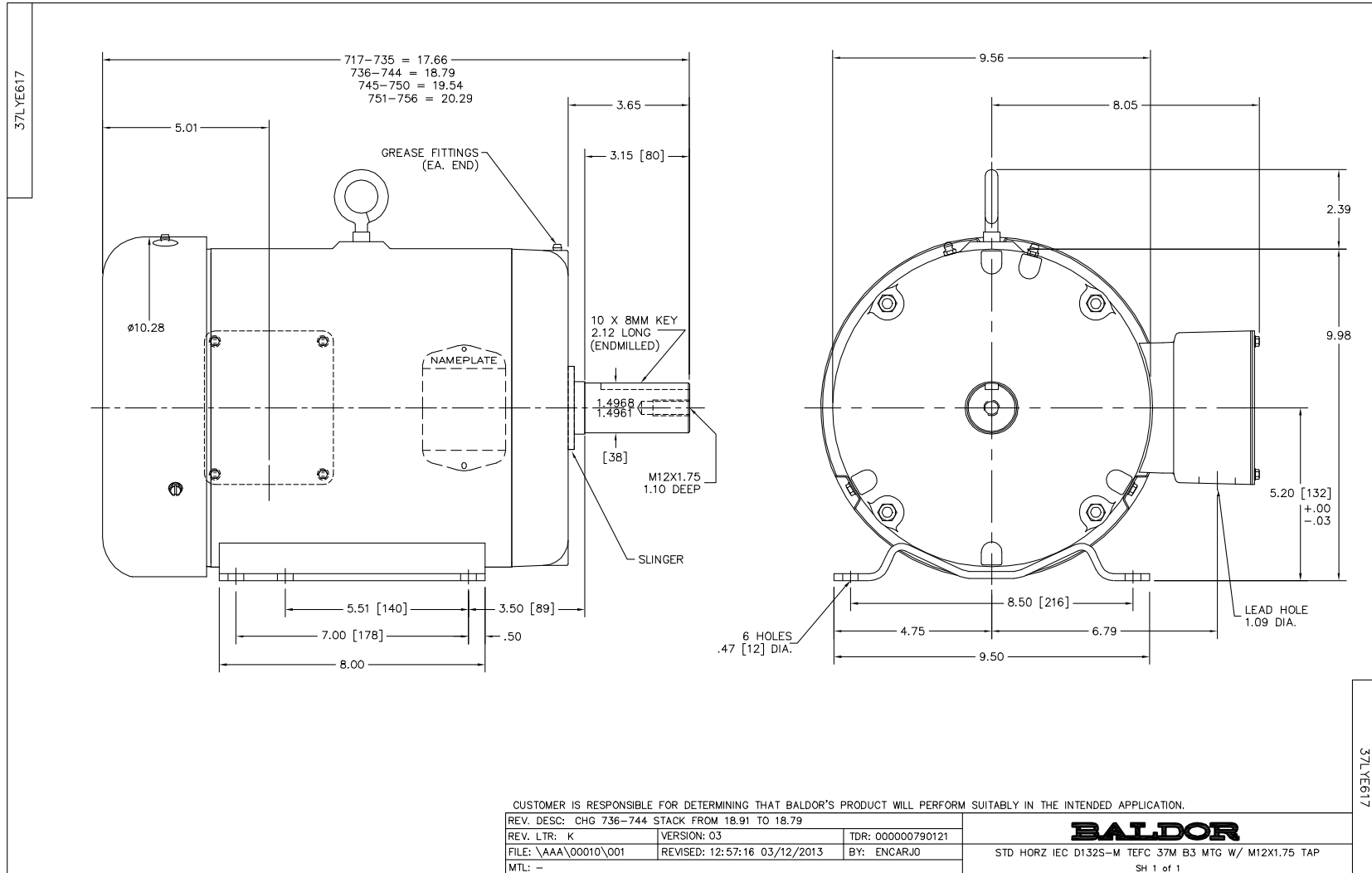
5.5 KW 3 PH 60 HZ 1770 RPM 460 V 3738M

Typical performance - not guaranteed values.

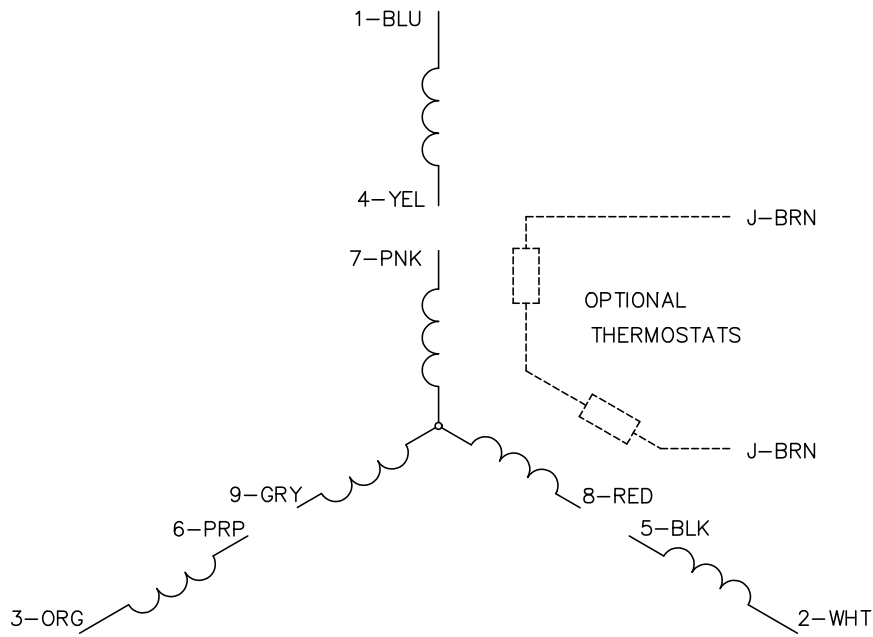
TORQUES (LB-FT): PO=69.8 PU=31.5 LR=41 LRA=70.7



9/2/2021 ACPERF, record # 86498



CD0005



LOW VOLTAGE
(2Y)



LINE

HIGH VOLTAGE
(1Y)



LINE

NOTES:

1. INTERCHANGE ANY TWO LINE LEADS TO REVERSE ROTATION.
2. OPTIONAL THERMOSTATS ARE PROVIDED WHEN SPECIFIED.
3. ACTUAL NUMBER OF INTERNAL PARALLEL CIRCUITS MAY BE A MULTIPLE OF THOSE SHOWN ABOVE.
4. LEAD COLORS ARE OPTIONAL. LEADS MUST ALWAYS BE NUMBERED AS SHOWN.

CD0005

REV. DESC: REVISE TO SHOW OPTIONAL COLORS			
REV. LTR: E	BY: JLP	REVISED: 01/19/99 10:15	TDR: 0171435
S00000		FILE: AAA00005140	MDL: -
		MTL: -	

BALDOR ELECTRIC Co.

3PH, DV, 9 LEADS