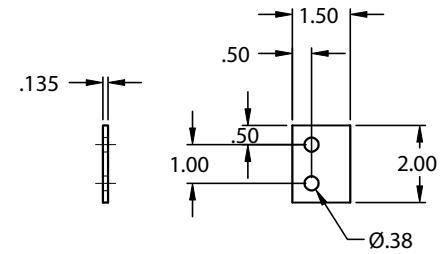
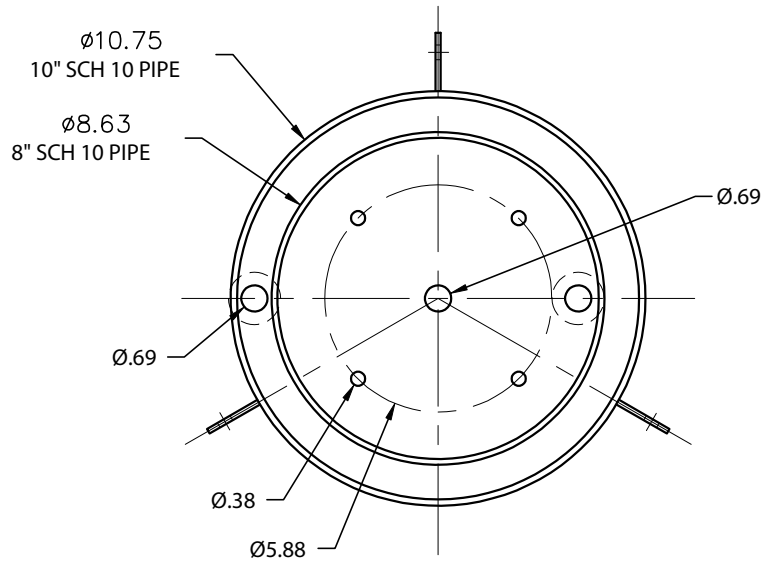


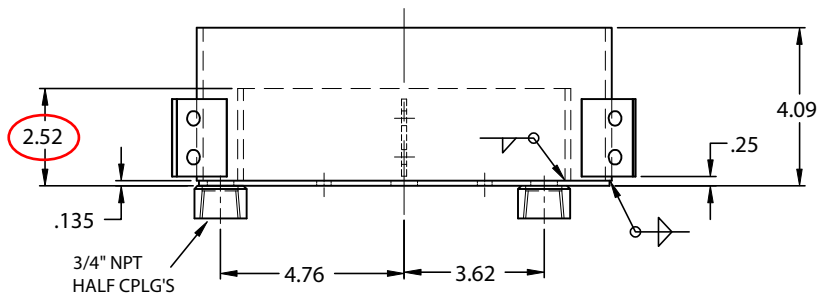
NOTES:

- 1) 304 STN. STL. CONSTRUCTION.
- 2) ALL WELDING MIG OR TIG WATER TIGHT.
- 3) PASSIVATED FINISH.

FINAL APPROVALS	
<input type="checkbox"/>	APPROVED
<input type="checkbox"/>	APPROVED AS NOTED
<input type="checkbox"/>	REJECTED
COMPANY: _____	
SIGNED BY: _____	
TITLE: _____	
DATE: _____	



This will be 1.75 with current rotor design



<b>TOLERANCES UNLESS NOTED OTHERWISE</b> DECIMALS DETAILS .XX ±0.03 WLDMNT .XX ±0.06 .XXX ±0.010 (XX) REF. THIRD ANGLE PROJECTION ANGLE ±0.5° (XX) REF.		CUSTOMER <b>LEON GRIFFIN</b>		
		DESCRIPTION/DRAWING TITLE <b>CF ENCLOSURE</b>		
REV. LTR. BY DATE DESCRIPTION		JOB #	ITEM #	CHK'D BY
A RSS 2-26-08 DELETED LIP		DWG NO. REF.	DATE 2-22-08	SCALE NONE
REVISION HISTORY		DRAWING # <b>20897101</b>		