



Customer information packet

34M185Y166G1

.75HP, 1725RPM, 1PH, 60HZ, D71CZ, 3428LC, TEFC

Brahma Engineering LLC.

Class - None

Division - Not Applicable

Specifications

Enclosure	TEFC
Frame	D71CZ
Frame Material	Steel
Frequency	60.00 Hz
Output @ Frequency	.750 HP @ 60 HZ
Phase	1
Synchronous Speed @ Frequency	1800 RPM @ 60 HZ
Voltage @ Frequency	120.0 V @ 60 HZ 220.0 V @ 60 HZ
XP Class and Group	None
XP Division	Not Applicable
Agency Approvals	UR CSA
Ambient Temperature	40 °C
Auxillary Box	No Auxillary Box
Auxillary Box Lead Termination	None
Base Indicator	Rigid
Bearing Grease Type	Polyrex EM (-20F +300F)
Blower	None
Current @ Voltage	4.100 A @ 220.0 V 5.400 A @ 208.0 V 8.300 A @ 120.0 V
Design Code	N
Drip Cover	No Drip Cover
Duty Rating	CONT
Efficiency @ 100% Load	74.0 %
Electrically Isolated Bearing	Not Electrically Isolated
Feedback Device	NO FEEDBACK
Frame Prefix	D
Front Face Code	Standard
Front Shaft Indicator	None
Heater Indicator	No Heater

Part detail

Revision	J
Type	AC
Mech. spec.	34M185
Base	
Status	PRD/A
Elec. spec.	34WGY166
Layout	34LYM185
Eff. date	10-15-2020
CD Diagram	CD0320
Poles	04
Leads	6#18,1#14 #4TH
Proprietary	False
Created date	02-25-2013

High Voltage Full Load Amps	4.1 a
Insulation Class	F
Inverter Code	Not Inverter
KVA Code	L
Lifting Lugs	No Lifting Lugs
Locked Bearing Indicator	Locked Bearing
Motor Lead Exit	Ko Box
Motor Lead Quantity/Wire Size	6 @ 18 AWG
Motor Lead Termination	Cord And Plug
Motor Standards	IEC
Motor Type	3428LC
Mounting Arrangement	B34
Number of Poles	4
Overall Length	12.10 IN
Power Factor	80
Product Family	General Purpose
Pulley End Bearing Type	Ball
Pulley Face Code	C-Face
Pulley Shaft Indicator	Key Only (When Non-STD)
Rodent Screen	None
RoHS Status	ROHS COMPLIANT
Service Factor	1.15
Shaft Diameter	0.551 IN
Shaft Extension Location	Pulley End
Shaft Ground Indicator	No Shaft Grounding
Shaft Rotation	Reversible: Connected OPP STD
Shaft Slinger Indicator	No Slinger
Speed	1725 rpm
Speed Code	Single Speed
Starting Method	Direct on line
Thermal Device - Bearing	None
Thermal Device - Winding	None
Vibration Sensor Indicator	No Vibration Sensor
Winding Thermal 1	Automatic Thermal Overload

Winding Thermal 1 Location

SB

Winding Thermal 2

None

Nameplate

NP1379L	
CAT.NO.	
SPEC.	34M185Y166G1
IEC FRAME	D71CZ K.W. .75HP TE
VOLTS	120/220
AMP	8.3/4.1
RPM	1725 I.P. 44
HZ	60 PH 1 CL F
SER.F.	1.15 DES N CODE L
NEMA-NOM-EFF	74 PF 80
RATING	40C AMB-CONT
CC	USABLE AT 208V 5.4
DE	6203 ODE 6203
SER. #	
	THERMAL PROTECTED

Parts list

Part number	Description	Quantity
SA260494	SA 34M185Y166G1	1.000 ea
RA247240	RA 34M185Y166G1	1.000 ea
OC3020F12SP	CAPACITORS 20 MFD 370 VAC	1.000 ea
EC1460A05SP	ELEC CAP, 460-552 MFD, 125V, 2.06D X 3.	1.000 ea
NS2512A01	INSULATOR, CONDUIT BOX X	1.000 ea
34CB3002A22	CB W/.66 DIA @ 12 & .50 DIA @ 6	1.000 ea
34GS1029A01	GASKET, CONDUIT BOX	1.000 ea
51XB1016A07	10-16 X 7/16 HXWSSLD SERTYB	2.000 ea
WD4102A01	SR-6L-1 HEYCO STRN RELIEF OR 23MPO6L10 M	1.000 ea
WD4000A06SP	SWITCH GUARD FOR TOGGLE SWITCH	1.000 ea
SP9013	2P-ST TOGGLE 1 HP - 2GK71-78	1.000 ea
HA3205A50	U550-N SWITCH NUT/CARLING	1.000 ea
HW1003A50	LOCKWASHER,1/2",EXT.TOOTHZINC PLATED	1.000 ea
11XW1032G06	10-32 X .38, TAPTITE II, HEX WSHR SLTD U	1.000 ea
WD1000A03	41531 AMP FLG.TERM,4M/REEL(2.5MIL)	3.000 ea
34CB3801	CAPACITOR BOX, DIE CAST	1.000 ea
34GS3002	GASKET, CAPACITOR BOX	1.000 ea
51XB1214A08	12-14 X 1/2HX WS SL SR TYBX	2.000 ea
34GS5003A01	FOAM SLEEVE, ID = 2 1/16" X 4 3/8"	2.000 ea
51XW0832A07	8-32 X .44, TAPTITE II, HEX WSHR SLTD SE	2.000 ea
34EP3102A01SP	FR ENDPLATE, MACH	1.000 ea
HW5100A03	WAVY WASHER (W1543-017)	1.000 ea
34EP1503A07	PU ENDPLATE, MACH	1.000 ea
51XN1032A20	10-32 X 1 1/4 HX WS SL SR	2.000 ea
HW4600B84	SEAL 0.669 X 1.064 X 0.250 SINGLE LIP SS	1.000 ea
XY1032A02	10-32 HEX NUT DIRECTIONAL SERRATION	4.000 ea
34FN3002A01SP	EXTERNAL FAN, PLASTIC, .637/.639 HUB W/	1.000 ea
34FH4002A01SP	IEC FH NO GREASER PRIMED	1.000 ea
51XW1032A06	10-32 X .38, TAPTITE II, HEX WSHR SLTD S	3.000 ea
34CB4517	CB LID 4 MTG HOLES .22 DIA STAMPED, FOR	1.000 ea
34GS1031A01	GASKET, FLAT CONDUIT BOX LID (LEXIDE)	1.000 ea

51XW0832A07	8-32 X .44, TAPTITE II, HEX WSHR SLTD SE	4.000 ea
HW2504D04	KEY, 5 MM X .625 LONG	1.000 ea
HA7000A10	KEY RETAINER 0.563 DIA SHAFTS	1.000 ea
MJ5001A27	32220KN GRAY SEALER *MIN BUY 4 QTS=1GAL	0.001 qt
MG1000Y03	MUNSELL 2.53Y 6.70/ 4.60, GLOSS 20,	0.014 ga
85XU0407S04	4X1/4 U DRIVE PIN STAINLESS	2.000 ea
LD5018A03	CORD & PLUG SET 16/3 SJOW 105C 300V 2' 6	1.000 ea
WD4006C05	ORANGE, WIRENUT, G-B #13-003 ORGSIZE 73B	3.000 ea
SP5051B57	MODEL 34 TYPE LC STATIONARY SWITCH	1.000 ea
HA3100A45	THRUBOLT 10-32 X 8.875	4.000 ea
MN416A01	TAG-INSTAL-MAINT no wire (1200/bx) 1/21	1.000 ea
LB1118	LABEL,WARNING (ROLL LABEL)	1.000 ea
LC0269	1PH,DV,REV,THERMAL,7 LD,L.AMP THRU HTR H	1.000 ea
LB1115N	LABEL,LIFTING DEVICE (ON ROLLS)	1.000 ea
NP1379L	ALUM IEC UL CSA CC	1.000 ea
36PA1000	PKG GRP, PRINT PK1016A06	1.000 ea
LB1417	LABEL CARTON 6X4 PERFORATED BLANK ROLLS	1.000 ea

AC Induction Motor Performance Data

Record # 47758

Typical performance - not guaranteed values

Winding: 34WGY166-R004		Type: 3428LC	Enclosure: TEFC		
Nameplate Data			120 V, 60 Hz: Low Voltage Connection		
Rated Output (HP)	.75	Full Load Torque	2.24 LB-FT		
Volts	120/220	Start Configuration	direct on line		
Full Load Amps	8.3/4.1	Breakdown Torque	6.22 LB-FT		
R.P.M.	1725	Pull-up Torque	5.12 LB-FT		
Hz	60 Phase	1	Locked-rotor Torque	8.17 LB-FT	
NEMA Design Code	N	KVA Code	L	Starting Current	64.8 A
Service Factor (S.F.)	1.15	No-load Current	5.94 A		
NEMA Nom. Eff.	74	Power Factor	80	Line-line Res. @ 25°C	0.732 Ω A Ph 1.8 Ω B Ph
Rating - Duty	40C	AMB-CONT	Temp. Rise @ Rated Load	66°C	
S.F. Amps			Temp. Rise @ S.F. Load	73°C	
			Locked-rotor Power Factor	94.5	
			Rotor inertia	0.0665 LB-FT ²	

Load Characteristics 120 V, 60 Hz, 0.75 HP

% of Rated Load	25	50	75	100	125	150	S.F.
Power Factor	40	57	68	77	63	83	69
Efficiency	51	65.3	71.7	72.8	92.6	71.5	84.7
Speed	1785	1772	1758	1743	1723	1702	1731
Line amperes	5.86	6.35	7.23	8.29	9.74	11.4	9.16

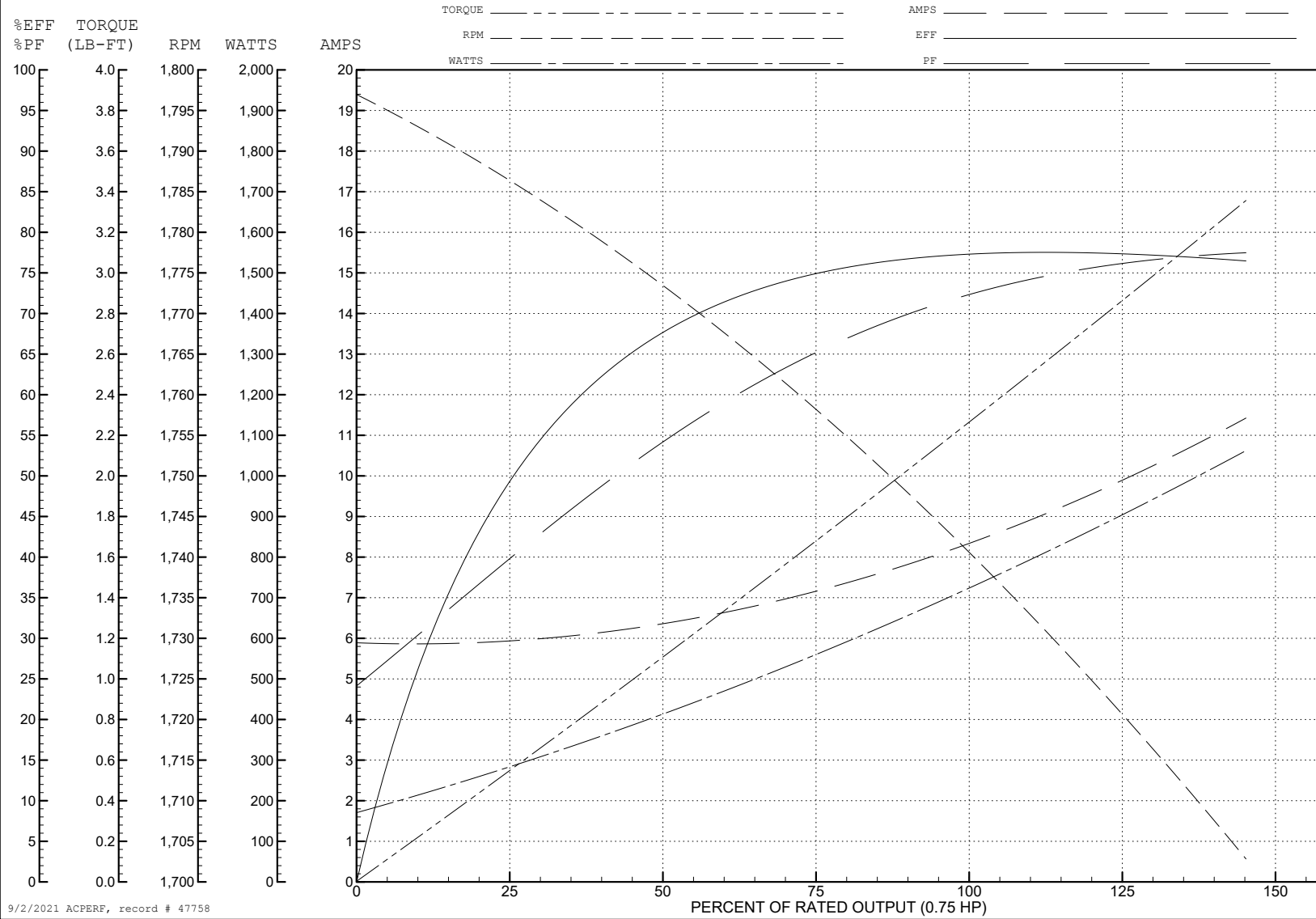
ABB Motors and Mechanical Inc.

WINDING # 34WGY166

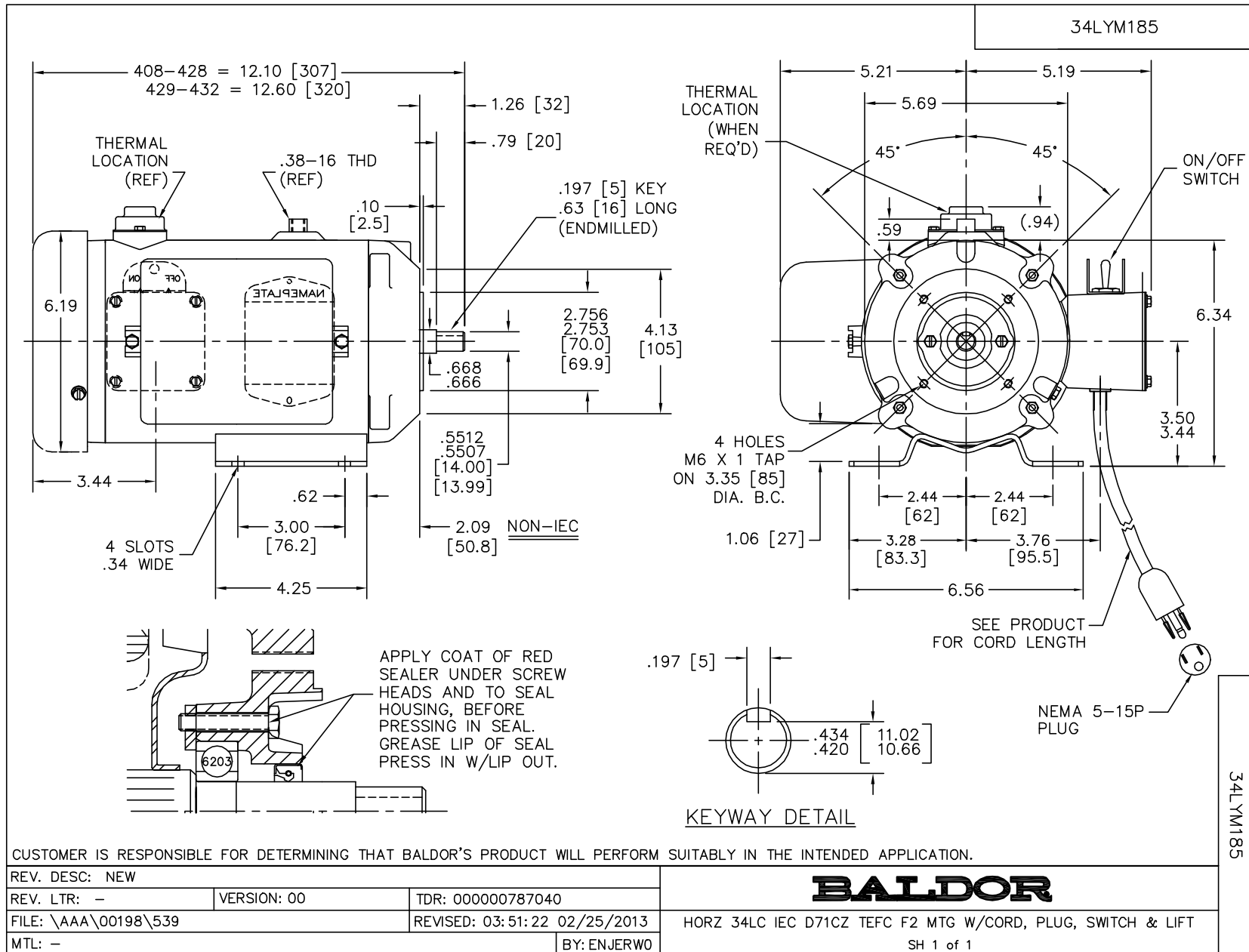
Typical performance - not guaranteed values.

0.75 HP 1 PH 60 HZ 1725 RPM 120 V 3428LC

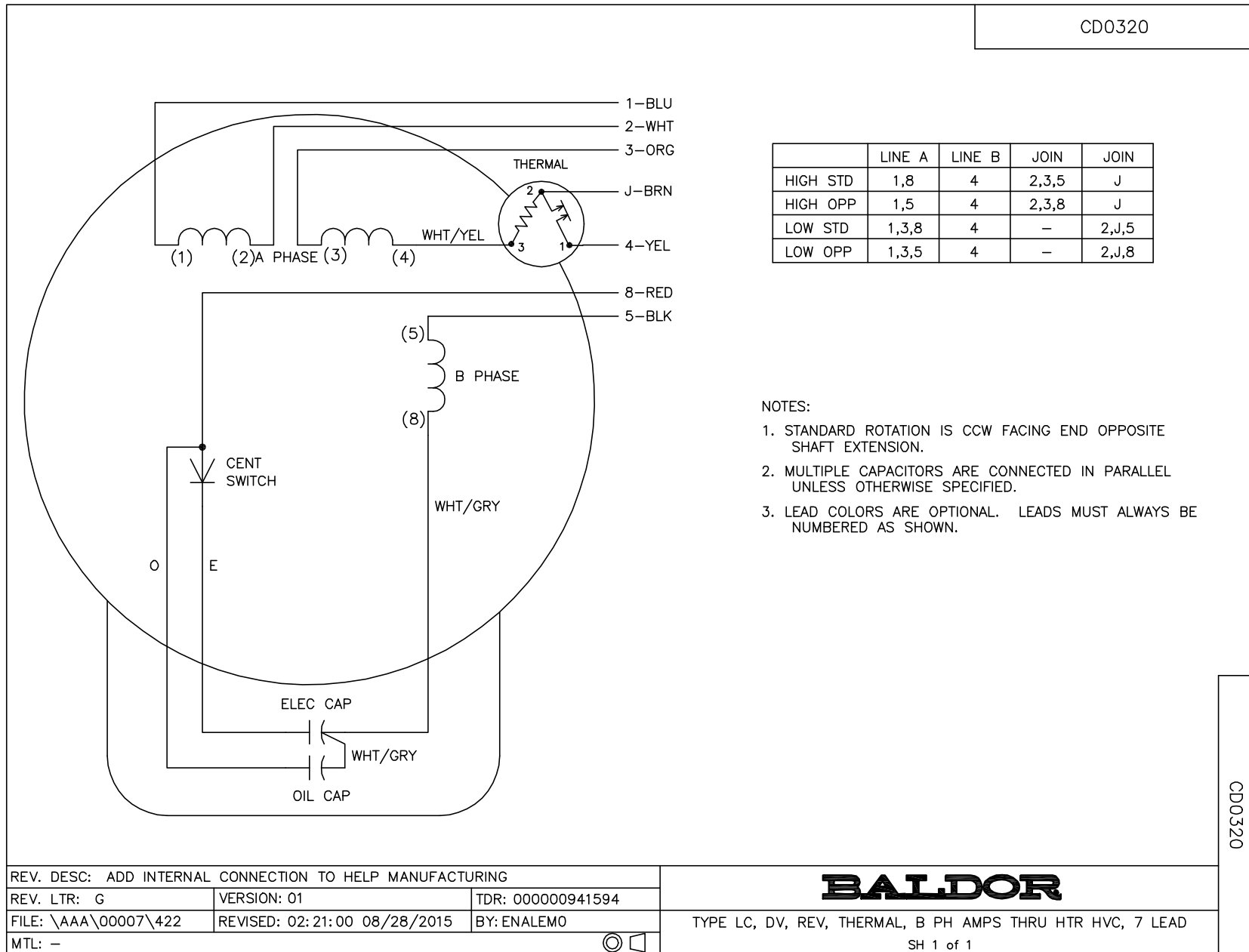
TORQUES (LB-FT): PO=6.22 PU=5.12 LR=8.17 LRA=64.8



9/2/2021 ACPERF, record # 47758



CD0320



	LINE A	LINE B	JOIN	JOIN
HIGH STD	1,8	4	2,3,5	J
HIGH OPP	1,5	4	2,3,8	J
LOW STD	1,3,8	4	-	2,J,5
LOW OPP	1,3,5	4	-	2,J,8

NOTES:

1. STANDARD ROTATION IS CCW FACING END OPPOSITE SHAFT EXTENSION.
2. MULTIPLE CAPACITORS ARE CONNECTED IN PARALLEL UNLESS OTHERWISE SPECIFIED.
3. LEAD COLORS ARE OPTIONAL. LEADS MUST ALWAYS BE NUMBERED AS SHOWN.

CD0320

REV. DESC: ADD INTERNAL CONNECTION TO HELP MANUFACTURING		
REV. LTR: G	VERSION: 01	TDR: 00000941594
FILE: \AAA\00007\422	REVISED: 02:21:00 08/28/2015	BY: ENALEMO
MTL: -		© □

BALDOR

TYPE LC, DV, REV, THERMAL, B PH AMPS THRU HTR HVC, 7 LEAD
SH 1 of 1